

# POS



## POS-6510

### 15" Fanless and High Performance POS Terminal

#### Features and Benefits:

- Intel® Atom D525 platform
- 15" LCD display with touch screen
- Flexible design for versatile applications
- Fanless POS terminal
- Optional i-Button for user identification & security control
- Optional 802.11 b/g WLAN communication capability
- Easy to be transformed to panel PC as long as removing the stand



#### Protech Systems Co., Ltd.

No. 24, Lane 365, Yang Goang Street, Nei Hu District Taipei 114, Taiwan  
 TEL: +886-2-8751-1111 FAX: +886-2-8751-1199  
 E-mail: sales@protech.com.tw  
<http://www.protech.com.tw>

#### Protech Technologies Inc.

950 Fee Ana St, Suite B Placentia, CA 92870  
 TEL: +1-714- 996-7200 FAX: +1-714- 996-7300  
 Sales: sales@protech-usa.net  
<http://www.protech-usa.net>

#### Protech Japan Co., Ltd.

OSK Bldg, 6F, 6-25-14, Minami-ohi Shinagawa-ku, Tokyo, 140-0013  
 TEL: +81-3-5753-8411 FAX: +81-3-3763-9282  
 E-mail: sam@protech-j.com  
<http://www.protech-j.com>

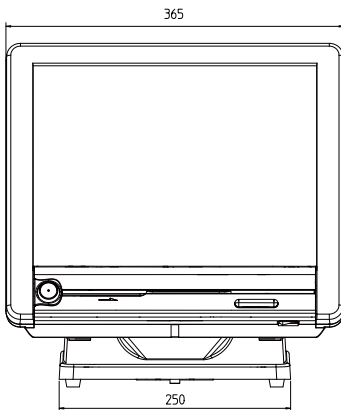


ISO CERTIFIED  
**9001 14001**

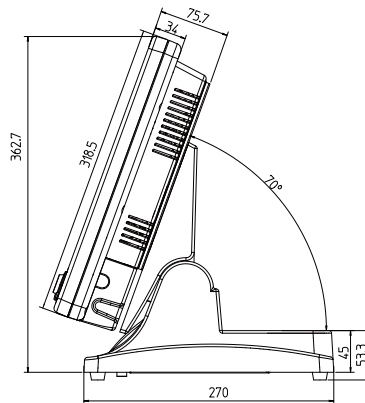
# POS-6510

## 15" Fanless and High Performance POS Terminal

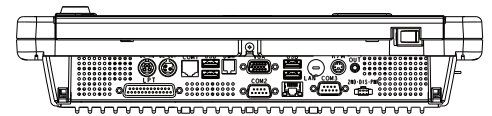
### Front View



### Side View



### I/O View



Unit: mm

### Specification

System	
<b>CPU Support</b>	Intel® Atom D525 CPU
<b>Memory</b>	1 x DDR3 SO-DIMM Slot (up to 4GB)
<b>Core Logic</b>	Intel® ICH8M
<b>Network</b>	1 x Giga fast Ethernet
<b>Audio</b>	1 x line-out
<b>Power Supply</b>	120 Watt Power Adaptor
<b>System Weight</b>	11 kg (Fanless)
<b>Dimension (WxHxD)</b>	365 x 363 x 303mm
<b>O.S. Compliant</b>	WIN7 /WIN7E /Win XP /XPE, WEPOS, POSReady 2009

### Storage

<b>HDD</b>	1 x 2.5" SATA HDD (standard 250GB)
<b>SSD</b>	over or equal 8GB SSD module
<b>CF</b>	Bootable Compact Flash slot for CF type I/II storages

### I/O Ports

<b>USB</b>	4 x USB 2.0 ports / 1 x USB 2.0 on side bezel
<b>Serial Ports</b>	2 x DB-9 (COM 1/2/3), 1 x RJ45 (COM 1), 1 x wafer (COM 4, for VFD), +5/12V Selectable (COM 1~4)
<b>Parallel Port</b>	1 x Parallel port
<b>PS/2</b>	1 x PS/2 ports (default at keyboard)
<b>LAN</b>	1 x RJ-45
<b>VGA</b>	1 x DB-15 VGA Interface
<b>Audio</b>	1 x 2W speaker
<b>Cash Drawer</b>	1 x RJ11 (+12V or +24V selectable)(default+12V)
<b>Option</b>	N/A

### Display

<b>LCD</b>	15" TFT LCD
<b>Max. Resolution</b>	1024 x 768
<b>Brightness</b>	250 cd/m <sup>2</sup>
<b>Touch Screen</b>	5-wire Analog resistive
<b>Display Tilt Angle</b>	40 ~ 80 degree

### Environment

<b>EMC &amp; Safety</b>	CE / FCC / cUL / CB
<b>Operating Temp.</b>	0° ~ 35°C
<b>Storage Temp.</b>	-20° ~ 60°C
<b>Humidity</b>	20% ~ 90%

### Ordering Information

<b>POS-6510</b>	15" POS Terminal with Intel® Atom™ Pineview D525 CPU, 1GB DDR3, SO-DIMM, 250GB HDD
<b>VFD Customer Display</b>	Backing or Pole type, Vacuum Fluorescent Display, 20 columns and 2 lines, each column is 5 x 7 dots
<b>i-Button</b>	Build-in PPC type, Read only, output through PS/2 KB interface or with AP decode through RS232 interface
<b>MSR</b>	Build-in PPC type, JIS-I or II, ISO Track1+2+3 (PS/2 KB Interface)
<b>Color</b>	Black or White
<b>OS</b>	WIN7 /WIN7E /Win XP /XPE, WEPOS, POSReady 2009
<b>Wireless LAN</b>	Mini PCIe Wireless LAN Module 802.11 b/g
<b>Fingerprint / Vertical MSR</b>	Vertical module, Fingerprint (USB interface) + vertical MSRModule (PS/2 interface)
<b>MSR /i-Button / RFID</b>	Vertical module, MSR, Read only, JIS-I or II, ISO Track1+2+3; I-button Read only; RFID, Read / Write, ISO 14443A 13.56MHz (USB Interface)

All of trademarks and brand names are the property of their owners. Trademark "Protech" is the property of Protech Systems Co., Ltd. All information contained in this document is subject to change without any prior notice. This catalog is copyrighted in Sep. 2011.